



Napoli Standard

I
Ombrellone robusto e pratico a palo centrale in alluminio verniciato a polveri epossidiche colore grigio antracite. Particolarmente apprezzato da molti anni per la robustezza e compatibilità con qualsiasi ambiente e utilizzo. Palo Diam. 50 mm.

UK
Strong and handy parasol with central pole epoxy coated color anthracite grey. Particularly appreciated for many years for its robustness and compatibility with any environment and use. Pole Diam. 50 mm.

D
Starker und handlicher Sonnenschirm mit Mittelmast. Farbe Anthrazitgrau pulverbeschichtet. Seit vielen Jahren besonders geschätzt für seine Stabilität und vielfache Verwendungszwecke. Mastdurchmesser 50 mm.

F
Parasol robuste et pratique avec mat central vernis couleur gris anthracite. Particulièrement apprécié depuis de nombreuses années pour sa robustesse et sa compatibilité avec tous les environnements et toutes les utilisations. Mat diam. 50 mm.

E
Parasol robusto y práctico de palo central de aluminio pintado con polvo epoxi de color gris antracita. Particularmente apreciado desde hace años por la robustez y compatibilidad con cualquier ambiente y uso. Palo de 50 mm ø.

NL
Sterke en praktische parasol met middenmast. Gepoedercoat in antracietgrijs. Sinds jaar en dag is dit model populair dankzij de goede stabiliteit. Geschikt voor iedere omgeving, dus ook voor de horeca. Doorsnede mast 50 mm.





I
Telaio in alluminio verniciato a polveri colore antracite. Viteria in acciaio inox e componenti in nylon colore nero.










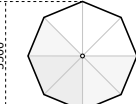
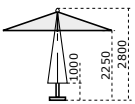
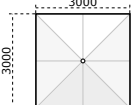
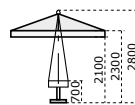
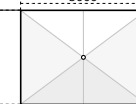
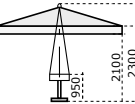

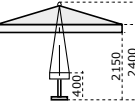
UK
Frame: aluminium powder coated anthracite grey. Stainless steel screws and components in black nylon.

D
Gestell: Pulverbeschichtetes Aluminium Farbe Anthrazitgrau. Edelstahlschrauben und Zubehoer aus Nylon. Farbe schwarz.

F
Armature: Aluminium vernis couleur gris anthracite. Visserie en inox et composants en nylon noir.

E
Polvo de aluminio recubierto marco de antracita. Accesorios de nylon. Tornillo de aciere inox y componentes de nylon negro.

NL
Mast en baleinen: aluminium, antracietgrijs geëpoxeerd. Schroeven van RVS, overige bewegende delen zijn van nylon.

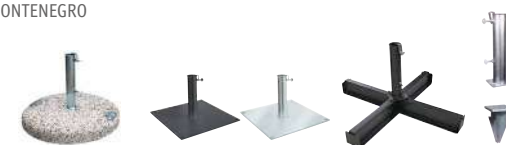
		MEASURES		CHARACTERISTICS							
	 COD			 KG	 M ²						
3,5	C3500 NAS			15	0,10	50	-	ALU DARK	8	ALU DARK	18x30
3,0x3,0	C3030 NAS			15	0,11	50	-	ALU DARK	8	ALU DARK	18x30
2,0x3,0	C2030 NAS			14	0,14	50	-	ALU DARK	6	ALU DARK	18x30
3,0x4,0	C3040 NAS			18	0,12	50	-	ALU DARK	8	ALU DARK	18x30



UDINE



MELIA BUDVA - MONTENEGRO



FINISHING				COLOUR RANGE - ACRYL 350 GR										OPTIONAL		BC55MA4	BC80MA4	BF6565D BF6565Z	BF6666D BF6666Z	BQ8080C	BTT55+BTC
				A1	A1	T2	T3	T6	T7	T8	T9	S1									
•	•	•	-	-					-	-	-		•	•					-		
•	•	•	•										•	•							
•	•	-	•										•	•					-		
•	•	•	•										•	•							

Fabric collection




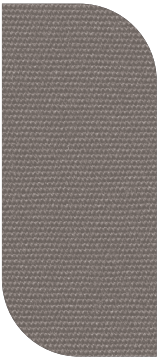







		
<p>FATTORE DI PROTEZIONE SOLARE Limita il passaggio del calore per più del 70%. Normativa UNI EN 410:2011</p> <p>SOLAR PROTECTION FACTOR Harmful UV rays and limiting heat circulation Norm UNI EN 410:2011</p>	<p>FATTORE DI PROTEZIONE LUMINOSA Indica la percentuale di trasmissione della luce Normativa UNI EN 410:2011</p> <p>FACTOR OF SOLAR LIGHT PROTECTION % of light transmission Norm UNI EN 410:2011</p>	<p>FATTORE DI PROTEZIONE UPF Protezione dai raggi U.V. (UPF) dal 85% al 100% Normativa UNI EN 13758-1:2007</p> <p>UPF PROTECTION FACTOR Harmful UV rays. (UPF) from 85% almost 100% Norm UNI EN 13758-1:2007</p>

SCHEDA TECNICA / DATA SHEET

COMPOSIZIONE / COMPOSITION	CARATTERISTICHE / FINISHING	SOLIDITÀ AL COLORE / COLOR FASTNESS	TRATTAMENTO / TREATMENT	IMPERMEABILITÀ / COLONNA D'ACQUA IMPERMEABILITY / WATER COLUMN
350 gr/m2 100% ACRYL	Inattaccabile da muffe e batteri. Solido alla luce Permeabile all'aria Antimacchia	GRADO 7/8 ENSIO 105-B04	RESINE TEFLON IDRO-OLEOREPELLENZA	CIRCA 25 CM
350 gr/m2 100% ACRYL	Resistant to mold and bacteria. Color fast. Breathable. Stain REPELLENT.	GRADE 7/8 ENSIO 105-B04	TEFLON RESIN WATER-OILREPELLENCY	ABOUT 25 CM



Fabric collection

350 GR/M² ACRYLIC								
	A1 ECRU NATURAL COL. NATUR	T2 TERRACOTTA ZIEGELROT TERRACOTTA	T3 BORDEAUX	T6 GRIGIO TAUPE GREY TAUPE GRAU TAUPE GRIS TAUPE GRIJS TAUPE	T7 BIANCO WHITE BLANC WEISS	T8 GRIGIO PERLA SILVER GREY SILBERGRAU	T9 GRIGIO ANTRACITE ANTHRACIT GREY ANTHRAZITGRAU	S1 Nero / Black Schwarz Noire Negro Zwart
	70/80%	> 90%	> 90%	> 90%	70/80%	> 90%	> 90%	> 90%
	20/30%	< 10%	< 10%	< 10%	20/30%	< 10%	< 10%	< 10%
	85/89%	100%	100%	100%	85/89%	100%	100%	100%

I dati forniti, pur essendo frutto di misurazioni scientifiche condotte in laboratori certificati, sono da ritenersi indicativi.
 The above mentioned data are indicative, although provided by scientific measurements performed in certified laboratories.



TELAIO: Robusto in alluminio con eleganti profili ovali. Verniciato a polveri colore grigio antracite. Accessori zincati antiruggine e componenti in nylon resistenti. Palo diametro 50 mm. Stecche robuste intercambiabili con sezione 18x30 mm. Apertura e chiusura con doppia carrucola.

TESSUTO: Acrilico Dralon 350gr/m2 impermeabilizzato e trattato antimuffa garantito Teflon. Con camino antivento. Tinto massa. 5 anni di garanzia.

FRAME: Strong aluminum frame with elegant oval outlines. Epoxy coated color anthracite grey. Accessories in stainless steel and strong nylon components. Pole diameter 50mm. Strong interchangeable ribs, section 18x30mm. Double pulley for an easy opening.

FABRIC: All Acrylic Dralon 350gr/m2 waterproof Teflon and anti-mould treated. With wind cap. Solution dyed. 5 years warranty



.Dimensione (metri)
 .Dimensions (meters)
 .Masse (Meter)
 .Dimensions (metrès)
 .Dimensiones (en metros)
 .Afmeting in (meters)



.Set canaline
 .Raingutter set
 .Regerinnen
 .Set gouttières
 .Canalizador Lluvias
 .Set regengoten



.Fodero
 .Cover bag
 .Schutzhuelle
 .Housse
 .Forro
 .Afdekhoes



.Viteria in inox e ottone nichelato
 .Screws in Stainless steel and nickel plated brass
 .Edelstahlschrauben und vernickeltes Messing
 .Visserie inox et laiton nickelé
 .Tornillos en acero inoxidable y bronce niquelado
 .Schroeven van rvs en vernikkeld messing



.Codice
 .Code
 .Artikelcode
 .Code
 .Código
 .Artikelcode



.Con base/supporto
 .With base/support
 .Mit Staender/Huelse
 .Avec base/support
 .Con base/ soporte
 .Inclusief standaard



.Doppia carrucola
 .Double pulley
 .Doppelter Seilzug
 .Double poulie
 .Doble polea
 .Dubbele katrollen

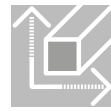


.Tipo finitura della struttura/sostegno/componenti
 .Finishing for frame/structure/components
 .Ausführung des Gestells/der Struktur/der Bestandteile
 .Finition armature/structure/composants
 .Tipo de acabado de la estructura/Soportes/componente

Pag. 68



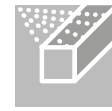
.Lunghezza
 .Length
 .Laenge
 .Longueur
 .Longitud
 .Lengte



.Sezione stecche
 .Rib section
 .Strebenprofil
 .Section baleines
 .Sección varillas
 .Profiel baleinen



.Sistema telescopico
 .Telescopic system
 .Teleskopsystem
 .Système telescopique
 .Sistema telescópico
 .Telescoop systeem



.Colore dei componenti/stecche
 .Component/Ribs colour
 .Farbe der Bestandteile und Streben
 .Couleur des composants et baleines
 .Color de los componentes ò piezas/Varillas ò listones



.Peso
 .Weight
 .Gewicht
 .Poids
 .Peso
 .Gewicht



.Camino antivento
 .Wind cap
 .Windfang
 .Souffle
 .Chimenea antiviento
 .Windvang



.Sistema retrattile
 .Retractile system
 .Einziehbares System
 .Système retractile
 .Sistema retráctil
 .Inklapbaar systeem



.Stecca con sistema "easy change"
 .Ribs with "easy change" system
 .Streben mit "easy change" System
 .Baleines avec "easy change" système
 .Varillas con sistema de " cambio fácil"
 .Baleinen met het "easy change" systeem



.Volume (m3)
 .Volume (m3)
 .Volumen (m3)
 .Volume (m3)
 .Volumen (m3)
 .Volume (m3)



.Volant
 .Valance
 .Volant
 .Volant
 .Faldón
 .Volant



.Base girevole a 360°C
 .Revolving base 360°C
 .360°C drehbarer Staender
 .Base tournant 360°C
 .Base giratoria 360°
 .360° draaibaar



.Massima Stabilità Ottenibile
 .Maximum Obtainable Stability
 .Maximal Erhaeltliche Stabilitaet
 .Maximum De Stabilité Realisable
 .Maxima Estabilidad Posible
 .Maximaal Bereikbare Stabiliteit



.Ø Palo (mm)
 .Ø Pole (mm)
 .Ø Mast (mm)
 .Ø Mat (mm)
 .Diametro mm (asta)
 .Ø Mast (mm)



.Blocco antivento
 .Wind stop
 .Windstop
 .Block antivent
 .Freno para el viento
 .Windstop



.Inclinazione fino a 20°
 .Inclination up to 20°
 .Neigung bis zu 20°
 .Inclination jusqu'à 20°
 .Inclinación hasta 20°



.Peso consigliato in condizioni normali
 .Recommended weight in normal condition
 .Empfohlenes gewicht unter normalen bedingungen
 .Poids recommande dans des conditions normales
 .Peso recomendado en condiciones normales
 .Aanbevolen gewicht onder normale omstandigheden



.Sezione sostegno (mm)
 .Support section (mm)
 .Mastprofil (mm)
 .Section support (mm)
 .Sección soporte (mm)
 .Mast (mm)



.Con meccanismo manovella
 .With winding mechanism
 .Mit Kurbelmechanismus
 .Avec mécanisme manivelle
 .Con manivela
 .Met opwindmechanisme



.Inclinazione fino a 60°
 .Inclination up to 60°
 .Neigung bis zu 60°
 .Inclination jusqu'à 60°
 .Inclinación hasta 60°



.Peso minimo richiesto
 .Minimum ballast required
 .Erforderliches mindestgewicht
 .Poids minimum requis
 .Peso minimo requerido
 .Minimaal vereist gewicht



.Stecche
 .Ribs
 .Streben
 .Baleines
 .Varillas
 .Baleinen



.Piastre cemento
 .Cement slabs
 .Kiesbetonplatten
 .Dalles ciment
 .Planchas de cemento
 .Betontegel